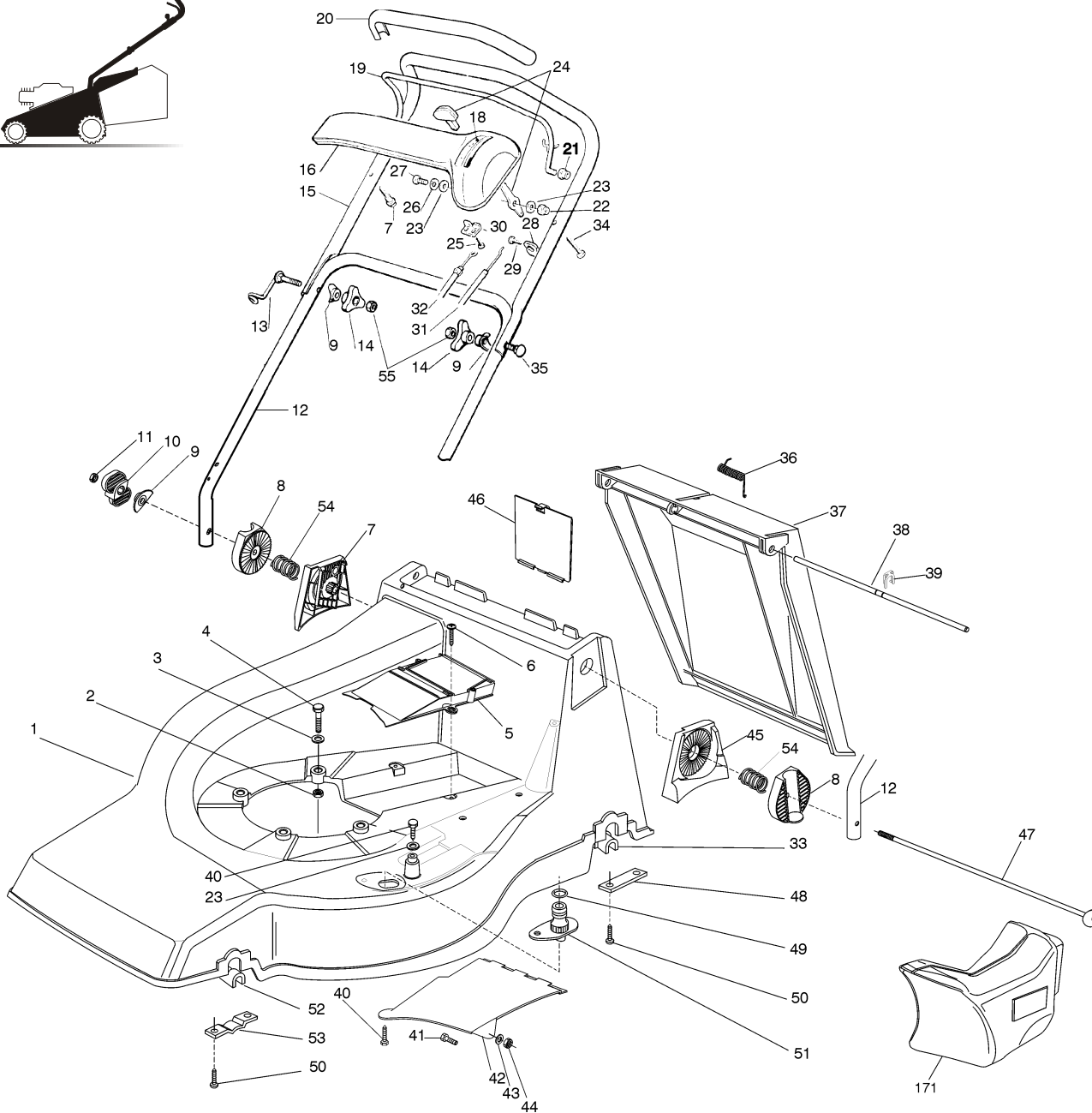


01D\_PAN504



01T.035

Pos.	Code	Q.ty	Descrizione	Description	Description	Beschreibung	Remarks
1	81001714/0	1	CHASSIS ROSSO	DECK RED	CHÂSSIS ROUGE	GEHÄUSE ROTES	
-	81001715/0	1	CHASSIS GIALLO	DECK YELLOW	CHÂSSIS JAUNE	GEHÄUSE GELBES	
-	81001716/0	1	CHASSIS VERDE	DECK GREEN	CHÂSSIS VERT	GEHÄUSE GRÜNES	
2	12155000/0	3	DADO	NUT	ECROU	MUTTER	
3	12521350/0	3	RONDELLA	WASHER	RONDELLE	SCHEIBE	
4	12691800/0	3	VITE	SCREW	VIS	SCHRAUBE	
5	22060200/0	1	CARTER CINGHIA	PROTECTION, BELT	PROTECTION COURROIRE	SCHUTZ, RIEMEN	
6	12728522/0	2	VITE	SCREW	VIS	SCHRAUBE	
7	22785077/0	1	SUPPORTO INTERNO DX	SUPPORT, R INTERNAL	SUPPORT INTERNE D	HALTER, INNERE R	
8	22785076/0	2	SUPPORTO ESTERNO	SUPPORT, EXTERNAL	SUPPORT EXTERNE	HALTER, AUßERE	
9	22680006/1	3	RONDELLA	WASHER	RONDELLE	SCHEIBE	
10	22399803/0	1	MANOPOLINA	KNOB	POIGNÉE	GRIFF	
11	12293202/0	1	DADO	NUT	ECROU	MUTTER	
12	81007033/0	1	MANICO, PARTE INF	HANDLE, LOWER PART	MANCHERON, PARTIE INFERIEURE	HOLM, UNTERTEIL	
13	81003801/1	1	MOLLA GUIDA	SPRING	RESSORT	FEDER	
14	22399900/0	2	MANOPOLINA	KNOB	POIGNÉE	GRIFF	



## GLOBAL GARDEN PRODUCTS

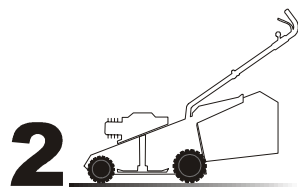
01T.035

Pos.	Code	Q.ty	Descrizione	Description	Description	Beshreibung	Remarks
15	81007018/1	1	MANICO, PARTE SUP	HANDLE, UPPER PART	MANCHERON, PARTIE SUPERIEURE	HOLM, OBERTEIL	
16	22120152/0	1	CRUSCOTTO GIALLO	DASH BOARD YELLOW	CONSOLE JAUNE	KONSOLE GELBE	
-	22120154/0	1	CRUSCOTTO ROSSO	DASH BOARD RED	CONSOLE ROUGE	KONSOLE ROTE	
-	22120158/0	1	CRUSCOTTO NERO	DASH BOARD BLACK	CONSOLE NOIRE	KONSOLE SCHWARZE	
17	22943006/0	1	VITE	SCREW	VIS	SCHRAUBE	
18	14356744/0	1	ETICHETTA	LABEL	ETIQUETTE	ETIKETTE	(B&S)
-	14356743/0	1	ETICHETTA	LABEL	ETIQUETTE	ETIKETTE	(HONDA)
-	14357646/0	1	ETICHETTA	LABEL	ETIQUETTE	ETIKETTE	(TECUMSEH)
19	81003291/2	1	LEVA FRENO MOTORE	LEVER, MOTOR BRAKE	LEVIER FREIN MOTEUR	HEBEL, MOTORBREMSE	
20	22291050/0	1	IMPUGNATURA MANICO NERA	HANDGRIP BLACK	POIGNÉE NOIRE	HANDGRIFF SCHWARZER	
-	22291051/0	1	IMPUGNATURA MANICO ROSSA	HANDGRIP RED	POIGNÉE ROUGE	HANDGRIFF RÖTER	
-	22291052/0	1	IMPUGNATURA MANICO GIALLA	HANDGRIP YELLOW	POIGNÉE JAUNE	HANDGRIFF GELBER	
21	22041966/0	2	BUSSOLA	BUSH	DOUILLE	BUCHSE	
22	12154510/0	1	DADO	NUT	ECROU	MUTTER	
23	12523040/0	2	RONDELLA	WASHER	RONDELLE	SCHEIBE	
24	81007280/2	1	LEVA, ACCELERATORE	LEVER, THROTTLE	LEVIER, ACCELERATEUR	HEBEL, BESHLEUNIGER	
25	12735105/0	2	VITE	SCREW	VIS	SCHRAUBE	
26	12530060/0	1	RONDELLA ELASTICA	ELASTIC WASHER	RONDELLE ELASTIQUE	ELASTISCHE SCHEIBE	
27	12791500/0	1	VITE	SCREW	VIS	SCHRAUBE	
28	22806612/0	1	SUPPORTO	SUPPORT	SUPPORT	HALTER	
29	12728518/0	1	VITE	SCREW	VIS	SCHRAUBE	
30	22981467/0	1	PIASTRINA	PLATE	PLAQUETTE	PLATTE	
31	81007160/0	1	CAVO ACCELERATORE	CABLE, TROTTLE	CABLE, ACCELERATEUR	KABLE, BESCHLEUNIGER	
32	81000631/0	1	CAVO FRENO MOTORE	CABLE, THREAD MOTOR BRAKE	CABLE FREIN MOTEUR	KABEL, MOTORBREMSE	(B&S QUANTUM)
-	81000641/0	1	CAVO FRENO MOTORE	CABLE, THREAD MOTOR BRAKE	CABLE FREIN MOTEUR	KABEL, MOTORBREMSE	(HONDA GCV 135-160)
-	81000629/1	1	CAVO FRENO MOTORE	CABLE, THREAD MOTOR BRAKE	CABLE FREIN MOTEUR	KABEL, MOTORBREMSE	(TECUMSEH)
33	22038399/0	2	BRONZINA	BRASS	DOUILLE	BUCHSE	
34	12728460/0	1	VITE	SCREW	VIS	SCHRAUBE	
35	12819201/0	1	VITE	SCREW	VIS	SCHRAUBE	
36	22450270/0	1	MOLLA	SPRING	RESSORT	FEDER	
37	22600023/2	1	PARASASSI	STONE-GUARD	PARE-PIERRES	PRALLBLECH	
38	22517857/0	1	PERNO	PIN	PIVOT	BOLZEN	
39	12436050/0	1	PIASTRINA	PLATE	PLAQUETTE	PLÄTTCHEN	
40	12729600/0	1	VITE	SCREW	VIS	SCHRAUBE	
41	12789000/0	1	VITE	SCREW	VIS	SCHRAUBE	
42	22108205/0	1	CONVOGLIATORE	CONVEYOR	CONVOYEUR	KONVEYOR	
43	12523020/0	1	RONDELLA	WASHER	RONDELLE	SCHEIBE	
44	12154330/0	1	DADO	NUT	ECROU	MUTTER	
45	22785078/0	1	SUPPORTO INTERNO SX	SUPPORT, L INTERNAL	SUPPORT INTERNE G	HALTER, INNERE L	
46	22595352/0	1	PORTINA CHIUSURA	INSPECTION DOOR	VOYANT DE VISITE	ABDECKPLATTE	
47	81001208/1	1	PERNO	PIN	PIVOT	BOLZEN	
48	22545142/0	2	PIASTRINA	PLATE	PLAQUETTE	PLATTE	
49	19035000/0	1	ANELLO OR	OR RING	BAGUE OR	RING OR	
50	12731350/0	8	VITE	SCREW	VIS	SCHRAUBE	
51	22034000/0	1	ATTACCO ACQUA LAVAGGIO	WASHING CONNECTION	ATTAQUE LAVAGE	WASCHENVERBINDUNG	
52	22038400/1	2	BRONZINA	BRASS	DOUILLE	BUCHSE	
53	22545156/0	2	PIASTRINA	PLATE	PLAQUETTE	PLATTE	
54	22446190/0	2	MOLLA	SPRING	RESSORT	FEDER	
55	12293200/0	2	DADO	NUT	ECROU	MUTTER	
—	81008609/0	1	DOTAZIONE VITERIA CRUSCOTTO	OUTFIT, DASH-BOARD SCREWS	DOTATION VISSERIE CONSOLLE	SATZ, KONSOLE SCHRAUBEN	
—	81008621/1	1	DOTAZIONE VITERIA	OUTFIT, SCREWS	DOTATION VISSERIE	SATZ, SCHRAUBEN	

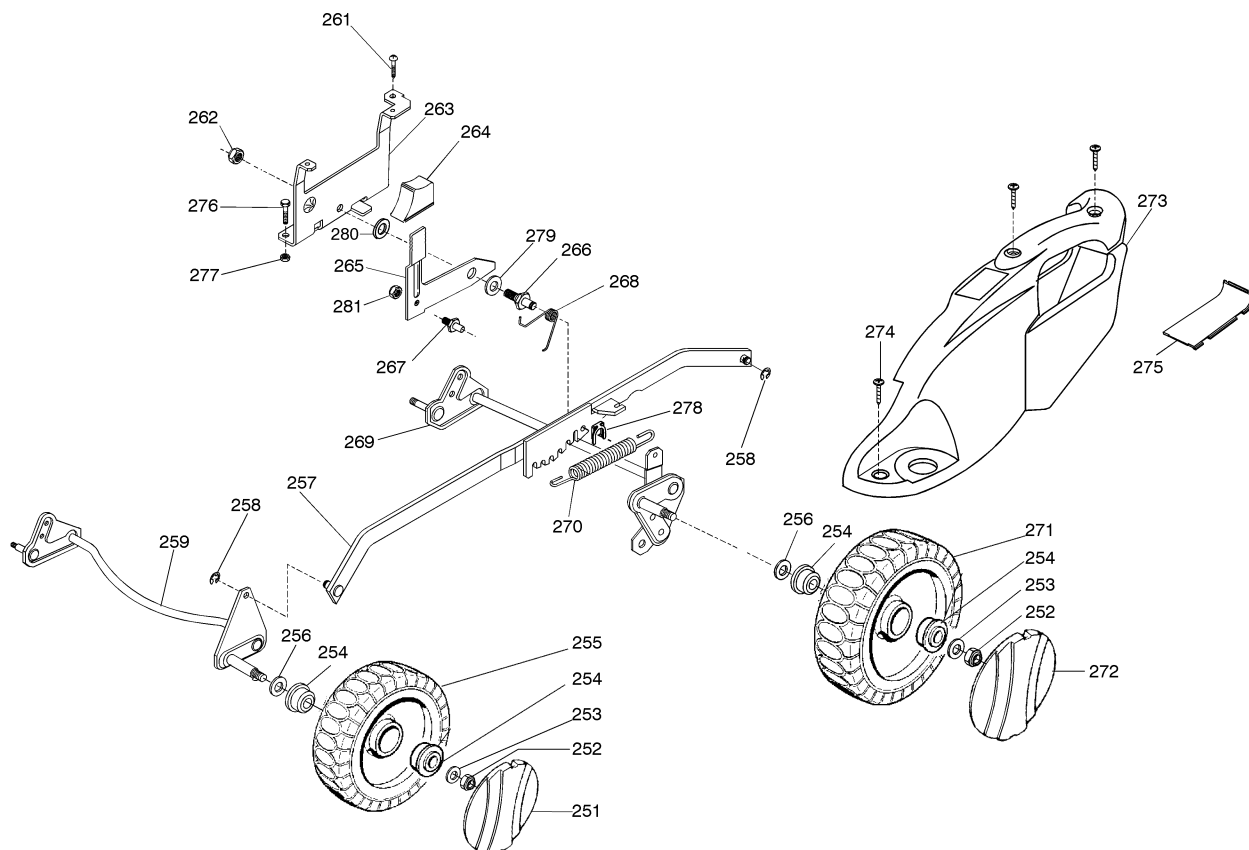
VARIANTE MULCHING - MULCHING MODIFICATION - MODIFICATION MULCHING - ÄNDERUNGEN MULCHING

01T.035

Pos.	Code	Q.ty	Descrizione	Description	Description	Beschreibung	Remarks
171	22140224/0	1	TAPPO	CAP	BOUCHON	GUMMISTOPFEN	



02D\_016



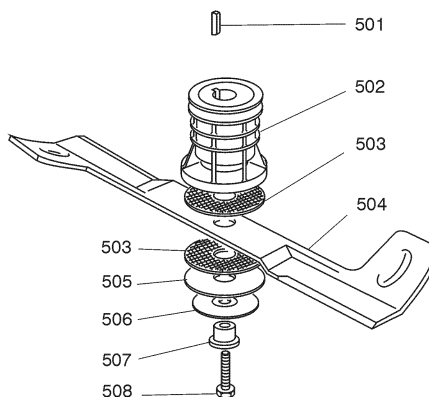
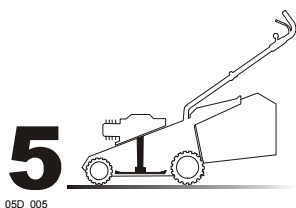
02T.023

Pos.	Code	Q.ty	Descrizione	Description	Description	Beschreibung	Remarks
251	22110252/1	2	COPRIMOZZO BIANCO	HUB CAP WHITE	COUVRE-MOYEU BLANC	RADKAPPE WEIßE	
-	22110254/1	2	COPRIMOZZO GIALLO	HUB CAP YELLOW	COUVRE-MOYEU JAUNE	RADKAPPE GELBE	
-	22110255/1	2	COPRIMOZZO ROSSO	HUB CAP RED	COUVRE-MOYEU ROUGE	RADKAPPE ROTE	
252	12155000/0	4	DADO	NUT	ECROU	MUTTER	
253	12521350/0	4	RONDELLA	WASHER	RONDELLE	SCHEIBE	
254	22122200/0	8	CUSCINETTO	BEARING	COUSSINET	LAGER	
255	81007317/0	2	RUOTA Ø 170	WHEEL Ø 170	ROUE Ø 170	RAD. Ø 170	
256	12530150/0	4	RONDELLA ELASTICA	ELASTIC WASHER	RONDELLE ELASTIQUE	ELASTISCHE SCHEIBE	
257	81001135/0	1	ASTA COMANDO REGOL. ALTEZZA	ROD, HEIGHT ADJUSTMENT CONTROL	TIGE COMMANDE REGLAGE HAUTEUR	STANGE, HÖHEVERSTELLUNG	
-	81001137/0	1	ASTA COMANDO REGOL. ALTEZZA	ROD, HEIGHT ADJUSTMENT CONTROL	TIGE COMMANDE REGLAGE HAUTEUR	STANGE, HÖHEVERSTELLUNG	(HONDA GCV 135/160)
258	12000930/0	2	ANELLO ELASTICO	SNAP RING	ANNEAU RESSORT	SPRENGRING	
259	81002801/1	1	ASSE RUOTE ANTERIORE	AXLE, FRONT WHEELS	AXE ROUES AVANT	ACHSE, VORDERRAD	
261	12729600/0	1	VITE	SCREW	VIS	SCHRAUBE	
262	12155000/0	1	DADO	NUT	ECROU	MUTTER	
263	22785115/0	1	SUPPORTO REGOLAZIONE ALTEZZA	SUPPORT, HEIGHT ADJUSTMENT	SUPPORT REGLAGE HAUTEUR	HALTER, HÖHEVERSTELLUNG	



02T.023

Pos.	Code	Q.ty	Descrizione	Description	Description	Beshreibung	Remarks
264	22602000/0	1	PULSANTE COMANDO LEVA	PUSHBUTTON, LEVER CONTROL	BOUTON DE COMMANDE LEVIER	STEUERHEBELDRUCKKNO PF	
265	22322829/1	1	LEVA REGOLAZIONE ALTEZZA	LEVER, HEIGHT ADJUSTMENT	LEVIER REGLAGE HAUTEUR	HEBEL, HÖNEVERSTELLUNG	
266	22517880/1	1	PERNO	PIN	PIVOT	BOLZEN	
267	22519746/0	1	PERNO	PIN	PIVOT	BOLZEN	
268	22446176/0	1	MOLLA	SPRING	RESSORT	FEDER	
269	81002804/1	1	ASSE RUOTE POSTERIORE	AXLE, REAR WHEELS	AXE ROUES ARRIERE	ACHSE, HINTERRAD	
270	22446180/0	1	MOLLA	SPRING	RESSORT	FEDER	
271	81007318/1	2	RUOTA Ø 210	WHEEL Ø 210	ROUE Ø 210	RAD. Ø 210	
272	22110251/0	2	COPRIMOZZO BIANCO	HUB CAP WHITE	COUVRE-MOYEU BLANC	RADKAPPE WEIßE	
-	22110253/0	2	COPRIMOZZO GIALLO	HUB CAP YELLOW	COUVRE-MOYEU JAUNE	RADKAPPE GELBE	
-	22110256/0	2	COPRIMOZZO ROSSO	HUB CAP RED	COUVRE-MOYEU ROUGE	RADKAPPE ROTE	
273	22060146/0	1	CARTER REGOLAZIONE	DECK, ADJUSTMENT	CHÂSSIS REGLAGE	GEHÄUSE VERSTELLUNG	
274	12728520/0	3	VITE	SCREW	VIS	SCHRAUBE	
275	22546070/0	1	PIASTRINA	PLATE	PLAQUETTE	PLATTE	
276	12793101/0	2	VITE	SCREW	VIS	SCHRAUBE	
277	12293201/0	2	DADO	NUT	ECROU	MUTTER	
278	12436050/0	1	PIASTRINA	PLATE	PLAQUETTE	PLÄTTCHEN	
279	22672152/0	1	RONDELLA	WASHER	RONDELLE	SCHEIBE	
280	22672151/0	1	RONDELLA	WASHER	RONDELLE	SCHEIBE	
281	12154510/0	1	DADO	NUT	ECROU	MUTTER	



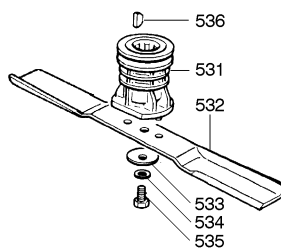
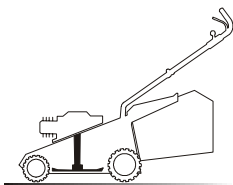
05T.016

Pos.	Code	Q.ty	Descrizione	Description	Description	Beshreibung	Remarks
501	12139100/0	1	LINGUETTA	FEATHER	CLAVETTE	KEIL	
502	22465611/0	1	MOZZO	HUB	MOYEU	HALTER	
503	22672110/1	2	RONDELLA FRIZIONE	CLUTCH WASHER	RONDELLE FRICTION	KUPPLUNGSCHEIBE	
504	81004395/1	1	COLTELLO ALETTATO	BLADE WINGED	LAME AILETTÉE	MESSER FLÜGEL	
505	12508120/0	1	MOLLA A TAZZA	CUPPED SPRING	RESSORT	TELLER FEDER	
506	22672105/0	1	RONDELLA	WASHER	RONDELLE	SCHEIBE	
507	22041940/0	1	BUSSOLA FRIZIONE	CLUTCH BUSH	DOUILLE FRICTION	KUPPLUNGSSCHEIBE	
508	12736850/0	1	VITE	SCREW	VIS	SCHRAUBE	



5

05D\_022



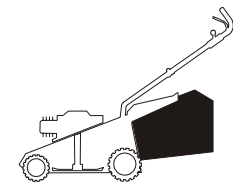
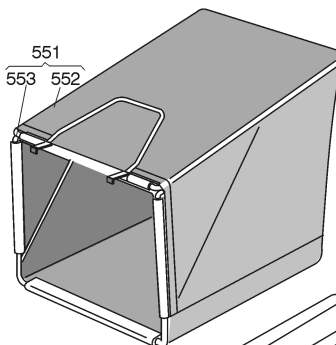
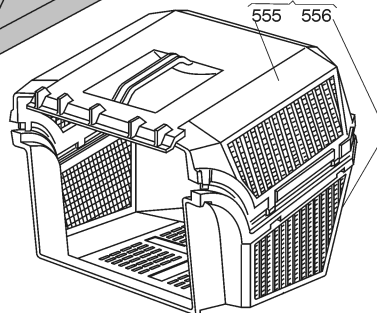
## VARIANTE MULCHING - MULCHING MODIFICATION - MODIFICATION MULCHING - ÄNDERUNGEN MULCHING

05T\_022

Pos.	Code	Q.ty	Descrizione	Description	Description	Beshreibung	Remarks
531	22463012/1	1	MOZZO	HUB	MOYEU	HALTER	
532	81004366/2	1	COLTELLO STANDARD	BLADE STANDARD	LAME STANDARD	MESSER STANDARD	
533	22160400/0	1	DISCO ELASTICO	ELASTIC WASHER	RONDELLE ELASTIQUE	ELASTISCHE SCHEIBE	
534	12523080/0	1	RONDELLA	WASHER	RONDELLE	SCHEIBE	
535	12735698/0	1	VITE	SCREW	VIS	SCHRAUBE	
536	12139100/0	1	LINGUETTA	FEATHER	CLAVETTE	KEIL	

6

06D\_004

551  
553 552554  
555 556

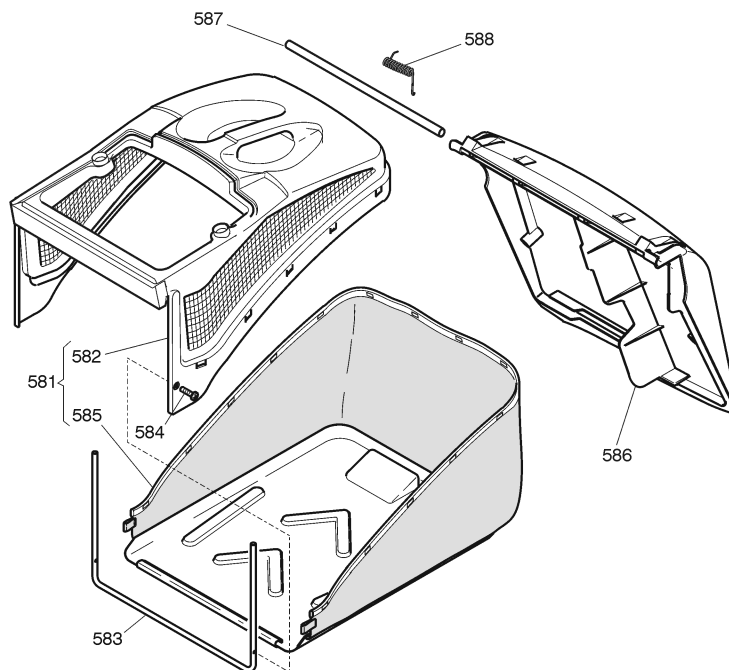
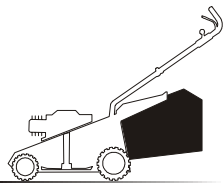
06T\_005

Pos.	Code	Q.ty	Descrizione	Description	Description	Beshreibung	Remarks
551	96400000/0	1	SACCO IN TELA, COMPLETO	GRASSCATCHER, CANVASS COMPLETE	SAC EN TOILE, COMPLETE	SACK, KOMPLETTE	
552	81002124/1	1	SACCO, TELA	BOX, FABRIC	SAC, TOILE	SACK, TUCK	
553	81006430/0	1	TELAIO SACCO	CHASSIS BOX	CHÂSSIS BAC	RAHMEN SACK	
554	96500000/0	1	SACCO, COMPLETO	GRASSCATCHER, COMPLETE	SAC, COMPLETE	SACK, KOMPLETTE	
555	22486065/0	1	SACCO, PARTE SUP	GRASS-BOX, UPPER PART	SAC, PARTIE SUPERIEURE	KORB, OBERTEIL	
556	22486064/0	1	SACCO, PARTE INF	GRASS-BOX, LOWER PART	SAC, PARTIE INFERIEURE	KORB, UNTERTEIL	



6

06D\_010

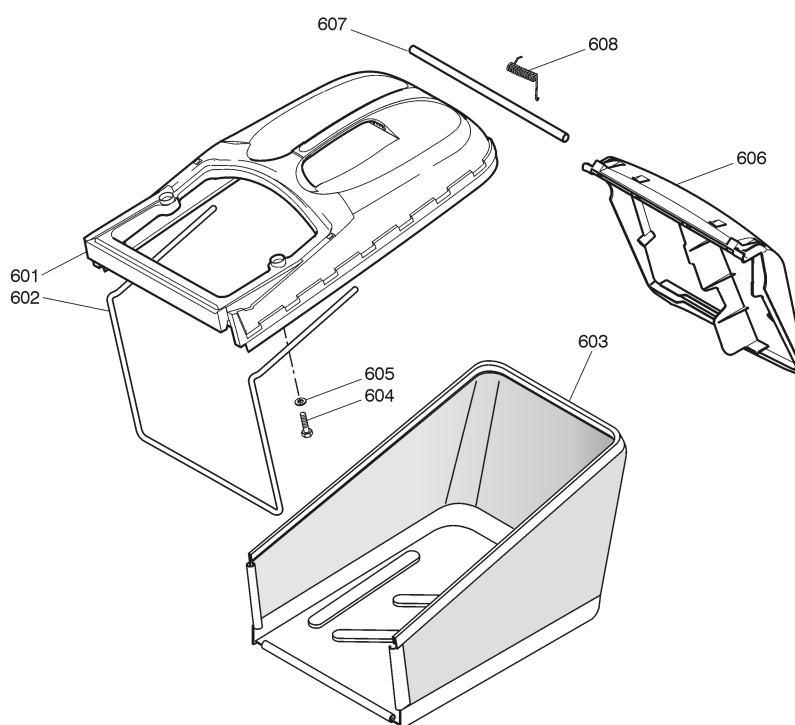
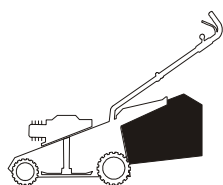


06T.004

Pos.	Code	Q.ty	Descrizione	Description	Description	Beschreibung	Remarks
581	92140000/1	1	SACCO COMPLETO	GRASS-BOX, COMPLETE	BAC COMPLET	KORB, KOMPLETTE	
582	22486094/0	1	SACCO, PARTE SUP	GRASS-BOX, UPPER PART	SAC, PARTIE SUPERIEURE	KORB, OBERTEIL	
583	22608524/0	1	RINFORZO INF	STIFFENING LOWER	RÉNFORCEMENT INF	VERSTÄRKUNG UNTERE	
584	12728445/0	2	VITE	SCREW	VIS	SCHRAUBE	
585	81002196/0	1	SACCO, TELA	BOX, FABRIC	SAC, TOILE	SACK, TUCK	
586	22600066/2	1	PARASASSI	STONE-GUARD	PARE-PIERRES	PRALLBLECH	
587	22517857/0	1	PERNO	PIN	PIVOT	BOLZEN	
588	22451000/0	1	MOLLA	SPRING	RESSORT	FEDER	

6

06D\_011



06T.011

Pos.	Code	Q.ty	Descrizione	Description	Description	Beschreibung	Remarks
601	22486102/0	1	SACCO, PARTE SUP	GRASS-BOX, UPPER PART	SAC, PARTIE SUPERIEURE	KORB, OBERTEIL	



## GLOBAL GARDEN PRODUCTS

06T.011

Pos.	Code	Q.ty	Descrizione	Description	Description	Beshreibung	Remarks
602	22608526/0	1	RINFORZO INF	STIFFENING LOWER	RÉNFORCEMENT INF	VERSTÄRKUNG UNTERE	
603	81002212/0	1	SACCO, TELA	BOX, FABRIC	SAC, TOILE	SACK, TUCK	
604	12728680/0	2	VITE	SCREW	VIS	SCHRAUBE	
605	12523050/0	2	RONDELLA	WASHER	RONDELLE	SCHEIBE	
606	22600066/2	1	PARASASSI	STONE-GUARD	PARE-PIERRES	PRALLBLECH	
607	22517857/0	1	PERNO	PIN	PIVOT	BOLZEN	
608	22451000/0	1	MOLLA	SPRING	RESSORT	FEDER	